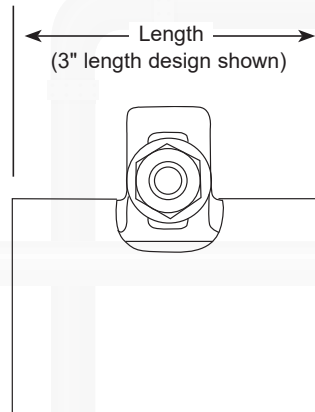
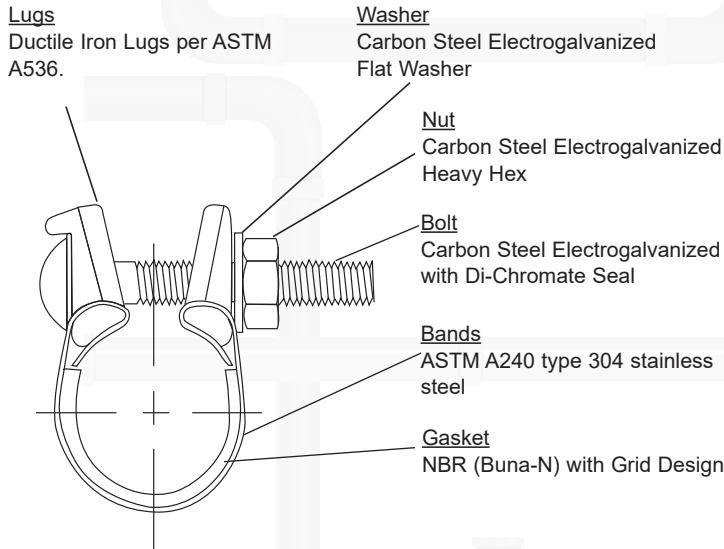


STAINLESS STEEL REPAIR CLAMPS FOR SMALL LEAKS



NOM. PIPE SIZE	PIPE O.D. RANGE	LENGTH AND APPROXIMATE WEIGHT (LBS.)				BOLT SIZE
		3"	6"	9"	12"	
1/2"	0.08	0.6	1.21	-	-	3/8"x3-1/2"
3/4"	1.05	0.65	1.28	1.91	-	
1"	1.32	0.66	1.31	2.0	-	
1-1/4"	1.66	0.73	1.42	2.15	-	
1-1/2"	1.90	0.74	1.44	2.75	2.86	
2"	2.38	1.0	2.0	3.2	4.0	7/16"x4"
2-1/2"	2.88	1.0	2.2	3.3	4.2	
3"	3.50	1.4	2.6	4.0	5.2	
3-1/2"	4.00	1.4	2.7	4.2	5.4	
4"	4.50	1.4	2.8	4.2	5.6	
	5"	5.56	1.6	3.0	4.8	
6"	6.00	1.9	3.5	5.0	6.7	
	6.63	2.2	3.7	5.6	7.4	
8"	8.00	2.2	4.4	6.6	8.0	
	8.63	2.5	4.9	6.9	8.8	
Number of Bolts		1	2	3	4	

FEATURES AND OPTIONS

- Drop-in bolt design allows bolts to remain attached - no loose parts to lose in the ditch
- Gaskets are heavy-grid design and extend lug to lug

The Skinner Company considers the information in this submittal form to be correct at the time of publication. Item and option availability, including specifications, are subject to change without notice. Please verify that your product information is current.