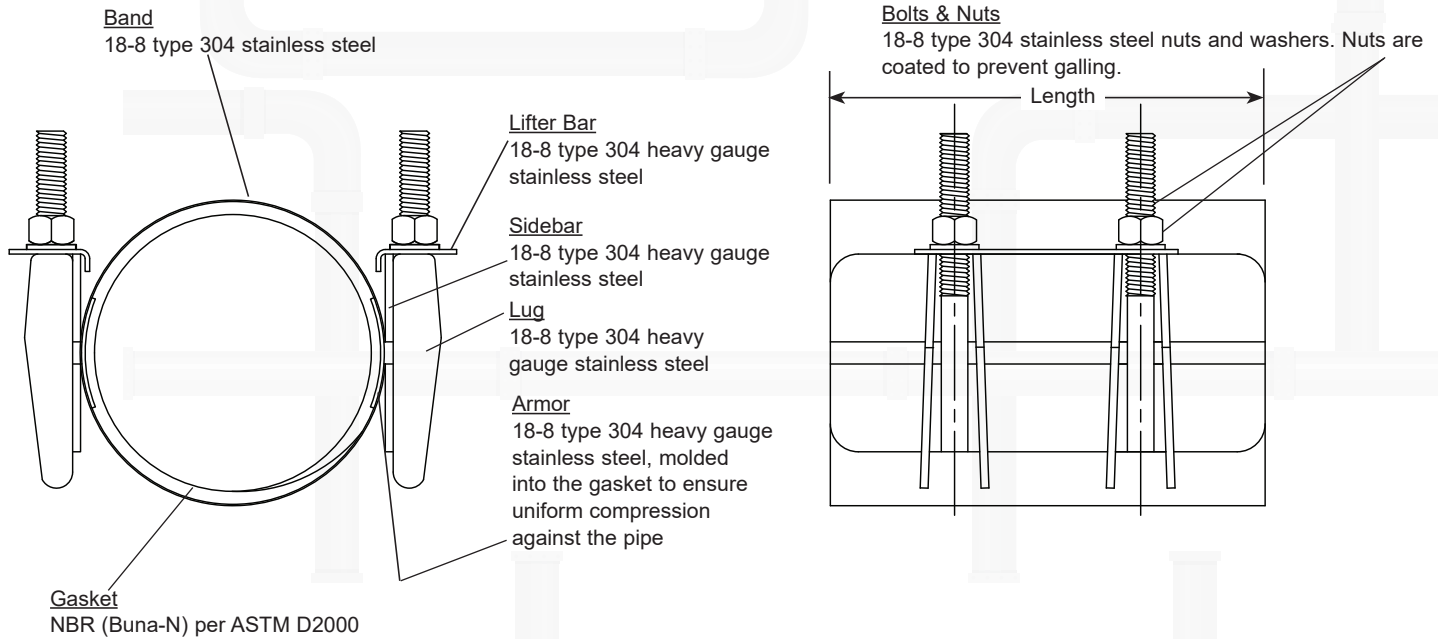


SKINNER DOUBLE BAND CLAMP (BCDB)

4" - 8" TWO SECTION WIDER RANGE ALL STAINLESS STEEL REPAIR CLAMPS



NOM. PIPE SIZE	PIPE O.D. RANGE	LENGTH AND APPROXIMATE WEIGHT (LBS.)							BOLT SIZE	BAND THICKNESS
		7.5"	10"	12.5"	15"	20"	24"	30"		
4"	4.24 - 5.04	11	14	18	26	32	38	-	5/8" UNC	20 GA.
	4.44 - 5.24									
	4.74 - 5.57									
6"	6.29 - 7.09	12	15	19	28	35	42	45		
	6.62 - 7.42									
	6.75 - 7.55									
	6.84 - 7.64									
8"	8.62 - 9.42	13	17	21	30	38	46	51		
	8.99 - 9.79									
Number of Bolts		4	6	6	8	12	14	18		

FEATURES

- Gasket is NBR (Buna-N) per ASTM D2000
- All welds are fully passivated to restore the corrosion resistant characteristics of the stainless steel

The Skinner Company considers the information in this submittal form to be correct at the time of publication. Item and option availability, including specifications, are subject to change without notice. Please verify that your product information is current.